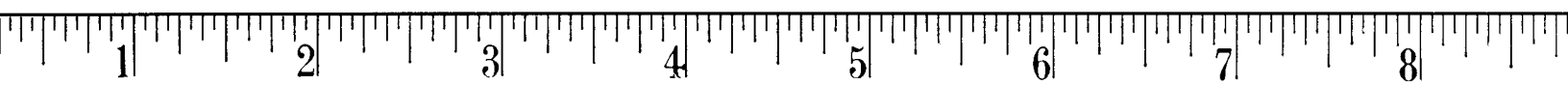
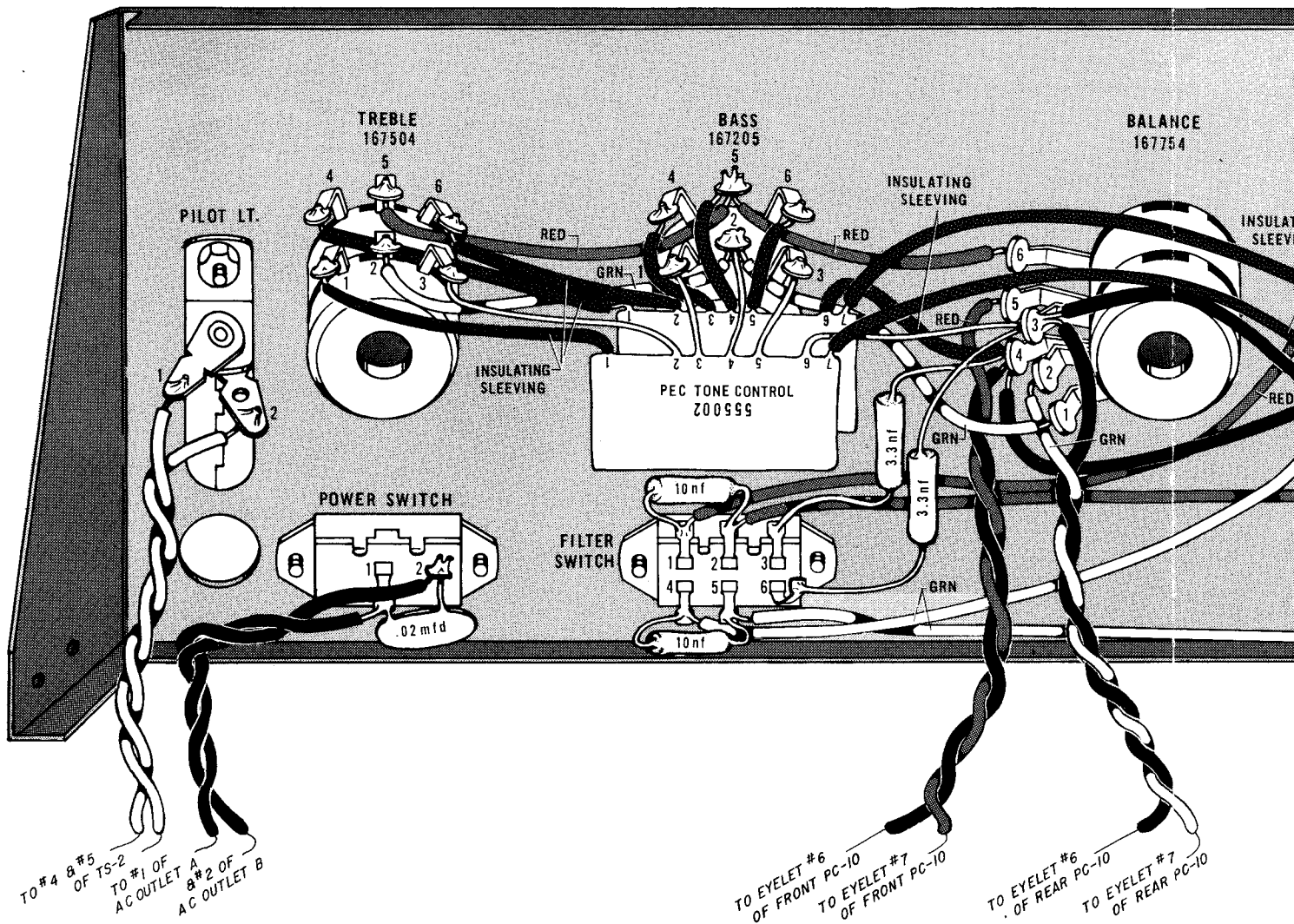
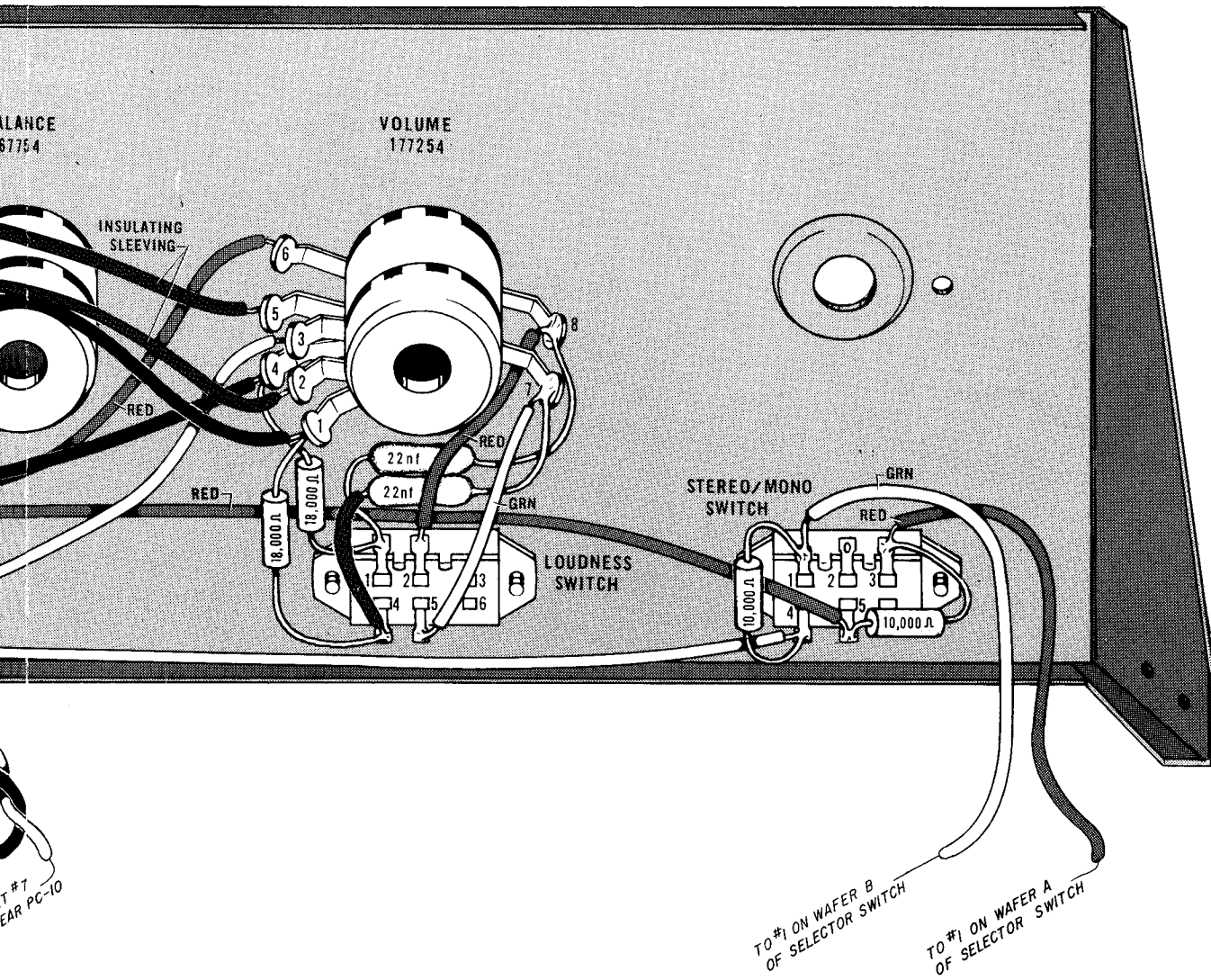
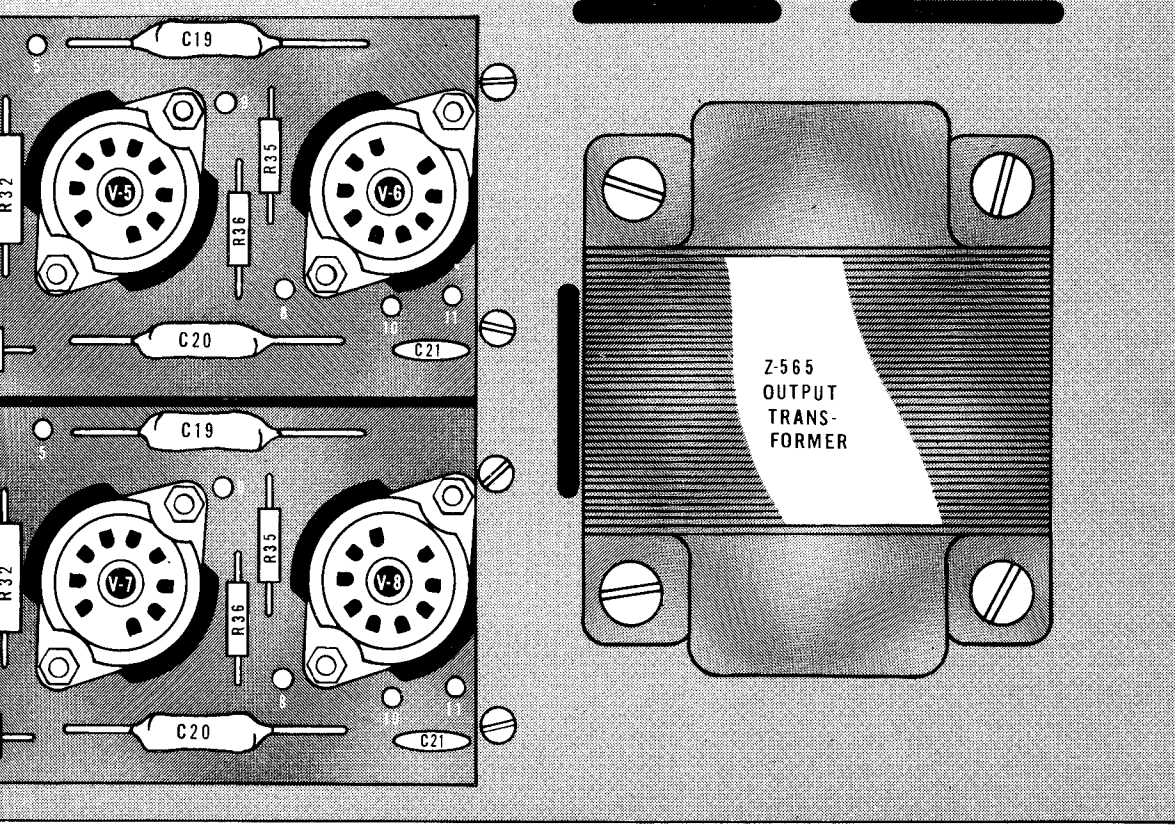


FRONT PANEL PIC

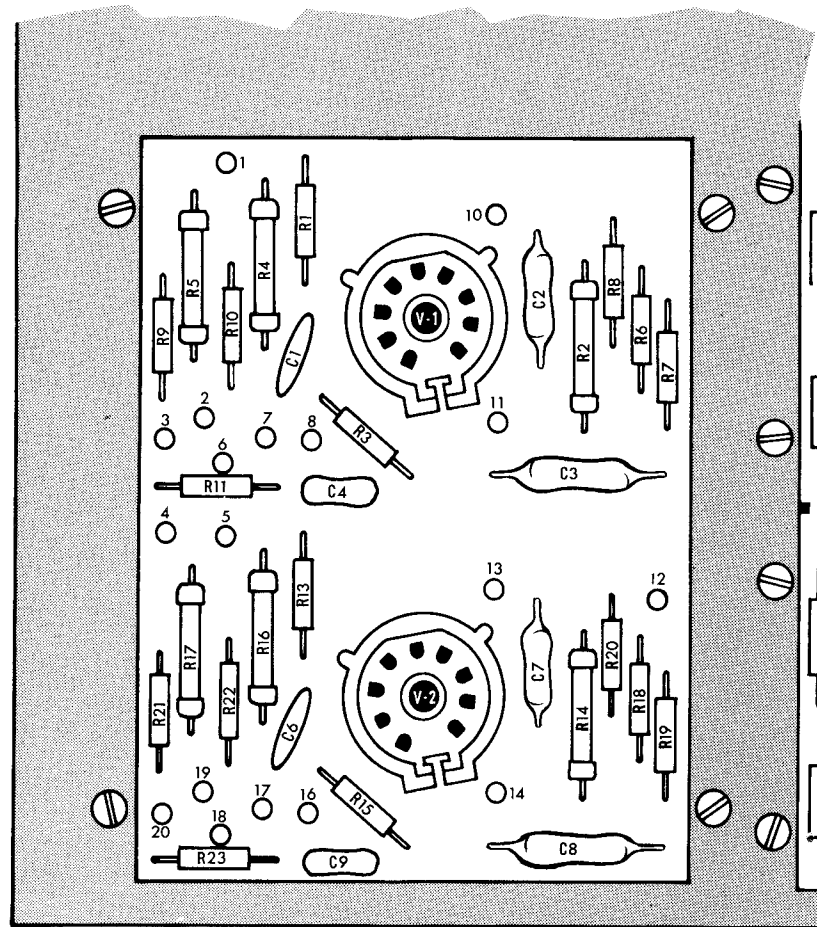
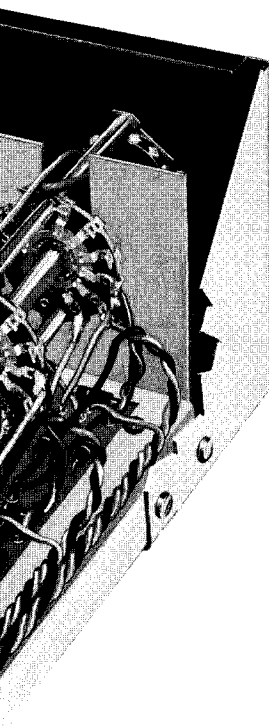


EL PICTORIAL



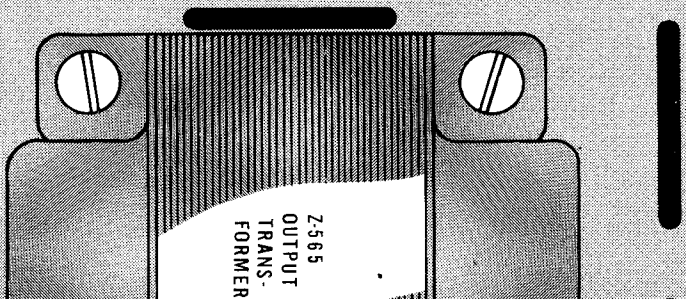
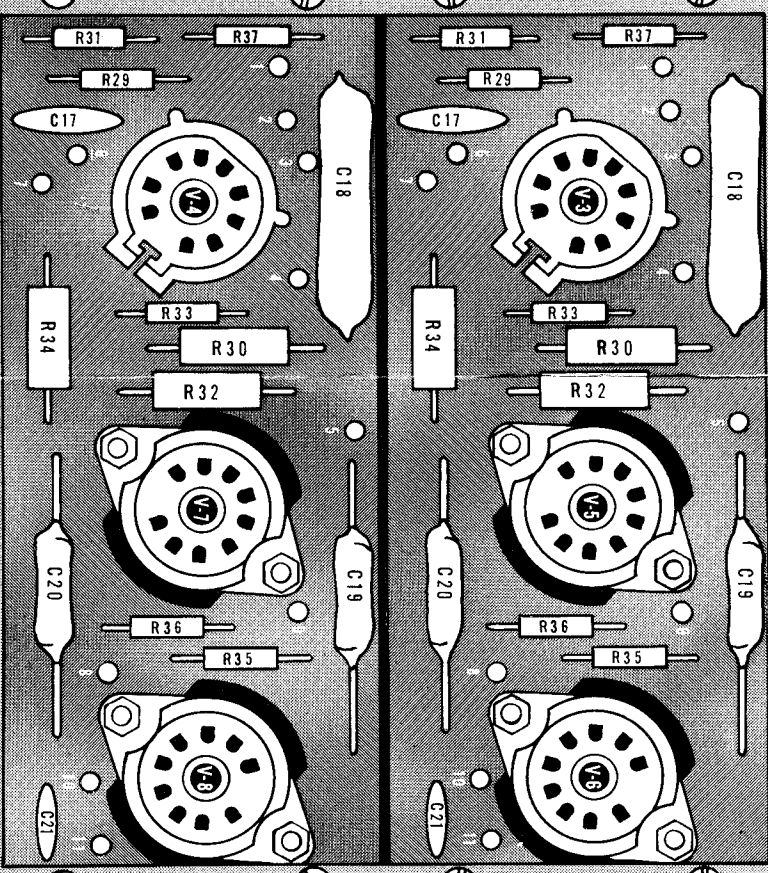
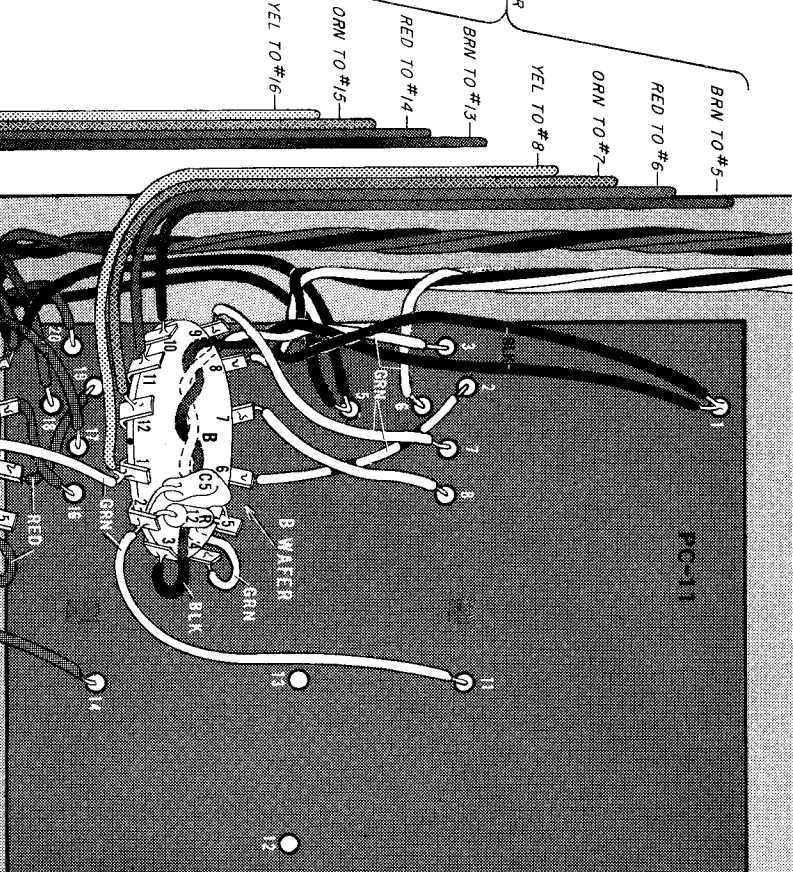


TORIAL



PC-11 BOARD



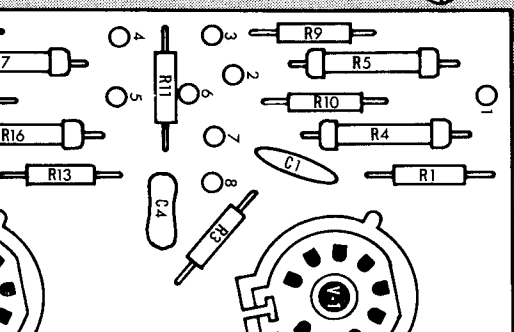
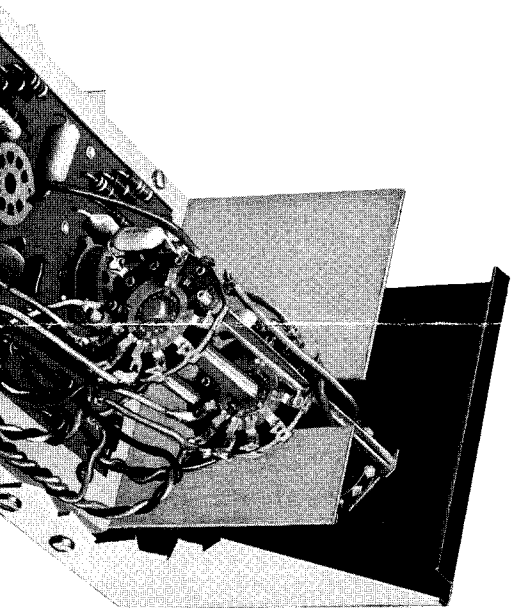


TOP CHASSIS PICTORIAL

PC-10

- C17 .1 mfd 16V disc
- C18 1 mfd 250V tubular
- C19 .1 mfd 400V tubular
- C20 .1 mfd 400V tubular
- C21 12 pf 600V disc 5%
- R29 4.7 megohms 1/2W 10%
- R30 270,000 ohms 1W 5%
- R31 560 ohms 1/2W 5%
- R32 22,000 ohms 1W 5%
- R33 120,000 ohms 1/2W 5%
- R34 27,000 ohms 1W 5%
- R35 470,000 ohms 1/2W 10%
- R36 470,000 ohms 1/2W 10%
- R37 82,000 ohms 1/2W 5%

- (yellow-violet-green)
- (red-violet-yellow)
- (green-blue-brown)
- (red-orange)
- (brown-red-yellow)
- (red-violet-orange)
- (yellow-violet-yellow)
- (yellow-violet-yellow)
- (gray-red-orange)



REAR PANEL PICTOR

